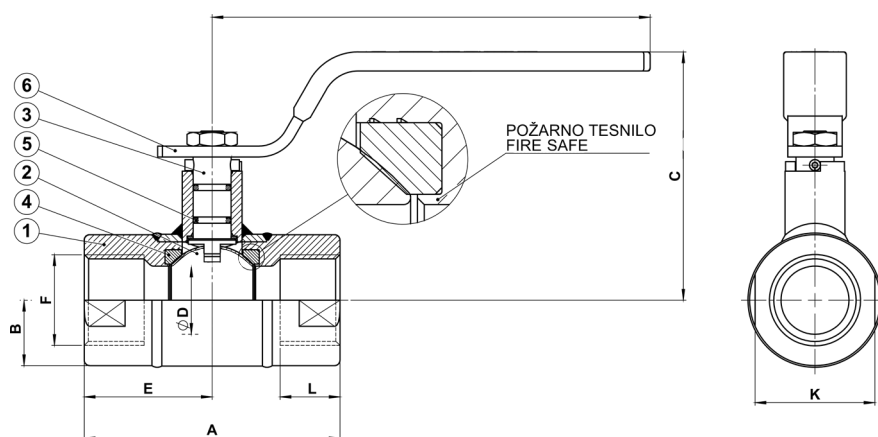
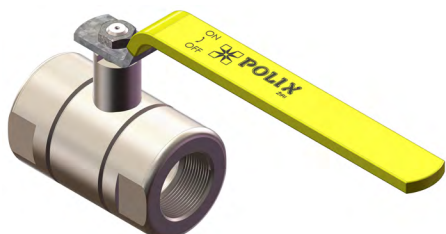


KPT-G IZ OGLJIKOVEGA JEKLA, NAVOJNA / KPT-G CARBON STEEL, THREADED



// Polni pretok / Full bore



Materiali / Materials

1	Ohišje Body	Ogljikovo jeklo – A105, P235TR2 Carbon Steel – A105, P235TR2
2	Krogla Ball	Nerjavno jeklo - 1.4301 (X5CrNi18-10) AISI 304 Stainless steel - 1.4301 (X5CrNi18-10) AISI 304
3	Vreteno Stem	Nerjavno jeklo – 1.4028 (X30Cr13) AISI 420 Stainless Steel – 1.4028(X30Cr13) AISI 420
4	Tesnilo krogle Ball seats	Teflon – PTFE
5	O-Obroč O-Ring	Viton (+60 °C) - FPM
6	Ročica Handle	Ogljikovo jeklo (cinkano) – S235JR (St 37-2) Carbon steel (galvanized) – S235JR (St 37-2)

Navor / Torque

DN	Maks. navor Max torque P = 16 bar T = 20°C	Maks. navor Max torque P = 40 bar T = 20°C	Priporočljivi navor za pogon Recommendable torque for actuator
	[Nm]	[Nm]	[Nm]
15	6	10	20
20	8	15	20
25	15	20	30
32	20	30	45
40	25	40	60
50	35	55	80

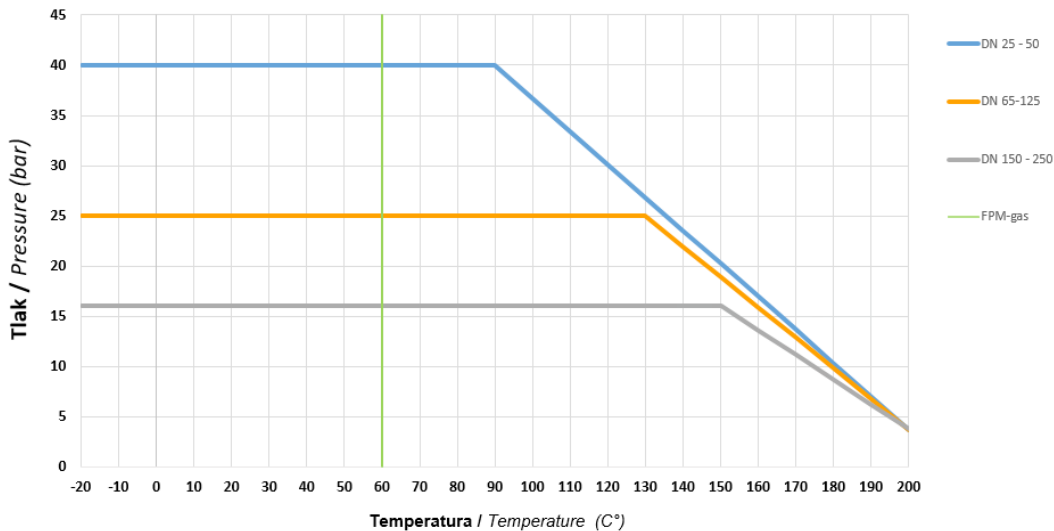
Opomba: Navori so bili izmerjeni s čisto vodo pri sobni temperaturi na ventilih s PTFE tesnili. Navor se lahko poveča pri ventilih, ki imajo tesnila iz drugačnih materialov, pri merjenju z različnimi tekočinami, višjimi temperaturami, posebnimi obratovalnimi pogoji in/ali v primeru, da je ventil dlje časa pod diferenčnim tlakom, ne da bi obratoval.

Remarks: The torques were measured on valves supplied with virgin PTFE seats, with clean water at room temperature. For valves with other seat materials, different fluids, higher temperatures, specific operating conditions and/or in case the valve is kept for a long time under differential pressure without being operated, the torque can increase.

// Delovna temperatura / Working temperature: -20 °C/+60 °C

(Za temperature nižje od -20 °C kontaktirajte proizvajalca /
For temperature below -20 °C please contact manufacturer)

Diagram tlak I temperatura / Pressure I temperature chart



Tesnila na vretenu, ohišju | Stem and body seals

FPM-gas (Max 60°C)

KPT-G DN ... PN40 DN VX PX

PN40

Art.	DN	A	B	C	ØD	E	F	G	K	L	Teža / weight [kg]
A958751	15	68	16,9	71,6	15,8	34	G ½"	153	32	17	0,5
A958752	20	78	21,2	82,6	20	39	G ¾"	153	40	18	0,8
A958753	25	94	24,2	90,3	25	47	G 1"	153	44	22	1,4
A958754	32	104	30,2	108,3	31	52	G 1¼"	237	56	22	1,8
A958755	40	121	38,1	116	40	61	G 1½"	276	70	24	4,0
A958756	50	143	44,5	122,5	50	71,5	G 2"	276	82	27	5,4

Opombe

Požarno tesnilo.
DN15 do DN32 so s polno kroglo.
DN40 in DN50 sta z votlo kroglo.
Nadgradnje na strani 87 - 94.

Notes

Fire Safe Design.
DN15 to DN32 valves feature a solid ball.
DN40 and DN50 valves feature a hollow ball.
Upgrades on pages 87 - 94.

O₂

Na zahtevo možna izdelava za kisik.
Ball valve for Oxygen Service available on request.